

## Objective

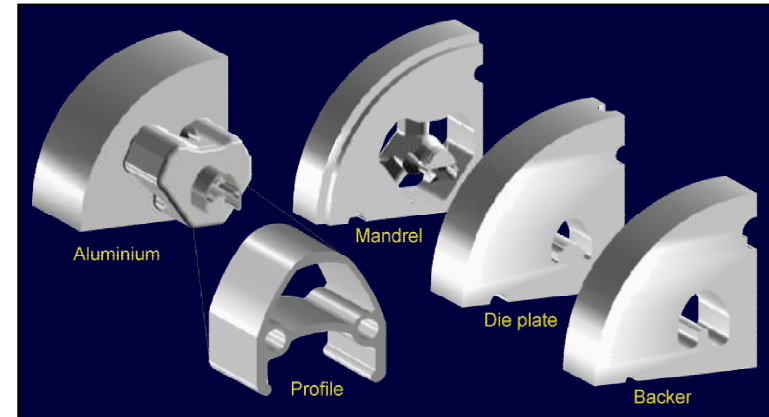
Improve the specifications (chemical composition and heat treatment) such that precipitation hardening is prevented during extrusion. This will enable higher extrusion speed and lower extrusion speed

## Research topics

Study on precipitation hardening mechanisms

## Industrial benefits

- Higher extrusion speed allowed
- Increase in productivity with 20%



*Improved extrusion speed - Boal*